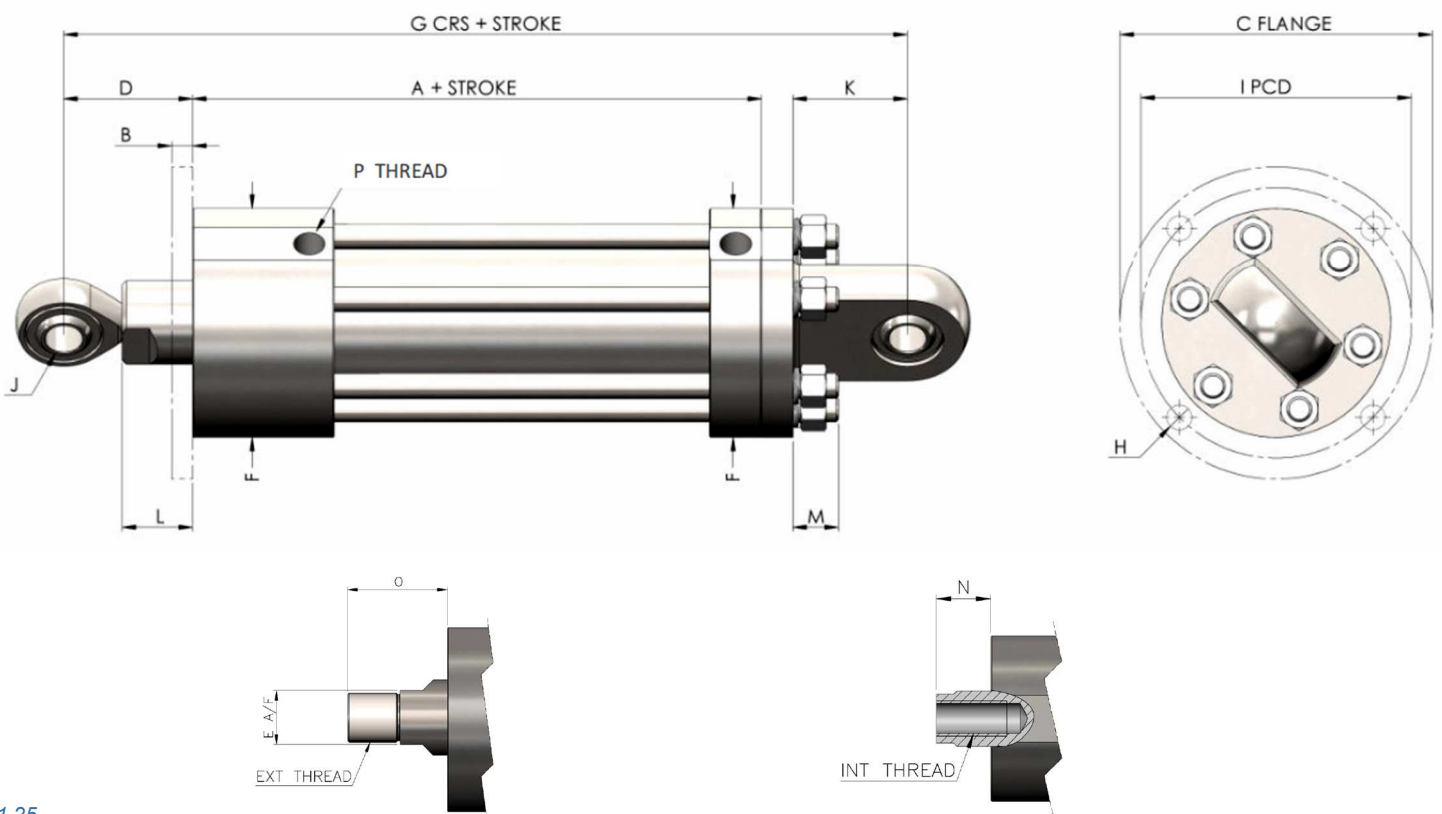


JANUS CYLINDERS DOUBLE AND SINGLE ACTING

Design

Based on a tie bar design, the standard range of cylinders offer durable construction with a high degree of corrosion resistance. The cylinders can be supplied as single or double acting with a maximum pressure of 160 bar and maximum speed of 0.3 m/sec.

The standard cylinder construction is 316 stainless steel with a high grade engineering polymer seal, Duplex stainless steel cylinders can be manufactured for seawater service. An additional ceramic coating can be applied for extreme operating environments and duty cycles. The Janus cylinder design is simple and robust ensuring a long service life with low maintenance; offering a most cost effective solution. TWHC can offer special cylinders to suit customer applications or specifications; please contact us with your specific requirements.



JANUS CYLINDERS DOUBLE AND SINGLE ACTING

| NOMINAL | BORE | 32 | | 40 | 50 | | 64 | | 80 | 100 | | 125 |
|--|-------------------|--------------------|-----------------------|-------------------|-------------------|-------------------|-------------------|-------------------|-----------------|-----------------|-----------------|-----------------|
| | ROD | 16 | 20 | 25 | 25 | 30 | 30 | 40 | 50 | 60 | 80 | 80 |
| ROD INTERNAL THREAD (SIZE x PITCH x LENGTH) | | M8 X 1.25 x 16 | M12 x 1.75 x 30 | M16 x 2 x 32 | M18 x 1.5 x 45 | M20 x 1.5 x 45 | M18 x 1.5 x 45 | M24 x 2 x 40 | M36 x 3 x 72 | M36 x 3 x 72 | M36 x 2 x 72 | M36 x 2 X 72 |
| ROD EXTERNAL THREAD (SIZE x PITCH x LENGTH) | | M12 x 1.75 x 25 | M16 x 2 x25 | M22 x 1.5 x 25 | M22 x 1.5 x 25 | M24 x 3 x 30 | M24 x 3 x 35 | M33 x 3.5 x 35 | M36 x 3 x 36 | M36 x 3 x 36 | M36 x 3 x 36 | M36 x 3 x 36 |
| A | | 90 | 90 | 113 | 119.2 | 119.2 | 158.2 | 158.2 | 178 | 195 | 195 | 234 |
| B FLANGE WIDTH | | 11 | 11 | 15 | 15 | 15 | 15 | 15 | 21.5 | 25 | 30 | 30 |
| C Ø | | 85 | 85 | 112 | 130 | 130 | 160 | 160 | 196 | 230 | 230 | 325 |
| D NO FLANGE | | 42.9 | 33.9 | 52.7 | 50 | 54.3 | 43.8 | 72.8 | 88.5 | 89.5 | 79.5 | 79 |
| E A/F | | 13 | 17 | 22 | 22 | 27 | 25 | 36 | 42 | 55 | 75 | 75 |
| F Ø | | 60 | 60 | 75 | 92 | 92 | 110 | 110 | 125 | 160 | 160 | 215 |
| G CRS+STROKE | | 156.9 | 156.9 | 209.7 | 219.2 | 223.5 | 272 | 287 | 333 | 359.5 | 349.5 | 387 |
| H Ø | | 8.5 | 8.5 | 10.5 | 10.5 | 10.5 | 11.5 | 11.5 | 13 | 16 | 16 | 22 |
| I PCD | | 73.5 | 73.5 | 95 | 110 | 110 | 135 | 135 | 156 | 190 | 190 | 280 |
| J Ø PLAIN | | 8 | 8 | 16 | 18 | 18 | 18 | 18 | 35 | 35 | 35 | 40 |
| K | | 25 | 25 | 37 | 50 | 50 | 55 | 55 | 51.5 | 60 | 60 | 80 |
| L PLAIN (WIDEST POINT) | ROD | 15 | 21 | 22 | 20 | 20 | 29 | 29 | 36 | 40 | 40 | 40 |
| | BODY | 15 | 21 | 22 | 20 | 20 | 29 | 29 | 36 | 40 | 40 | 40 |
| M STUD LENGTH | | 12.5 | 10.5 | 12 | 12 | 15.8 | 21.8 | 21.8 | 19 | 20.5 | 25.5 | 29 |
| N WITHOUT FLANGE | | 16.9 | 16.9 | 24.7 | 22 | 26.3 | 15.8 | 30.8 | 35.5 | 36.5 | 26.5 | 9 |
| O MALE WITHOUT FLANGE | | 30.9 | 30.9 | 34.7 | 47.3 | 52.3 | 65.8 | 65.8 | 71.5 | 72.5 | 62.5 | 45 |
| P BSP P | | 1/4" | 1/4" | 1/4" | 1/4" | 1/4" | 3/8" | 3/8" | 1/2" | 1/2" | 1/2" | 1/2" |
| SPHERICAL BEARINGS | D NO FLANGE | 42.9 | 33.9 | 52.7 | 50 | 54.3 | 43.8 | 72.8 | 88.5 | 89.5 | 79.5 | 79 |
| | G CRS + STROKE | 156.9 | 156.9 | 209.7 | 219.2 | 223.5 | 272 | 287 | 333 | 359.5 | 349.5 | 387 |
| | J Ø | 8 | 8 | 16 | 18 | 18 | 18 | 18 | 35 | 35 | 35 | 40 |
| | K | 25 | 25 | 37 | 50 | 50 | 55 | 55 | 51.5 | 60 | 60 | 80 |
| | L (WIDES T) | ROD | 12 | 12 | 21 | 21 | 23 | 23 | 23 | 43 | 43 | 43 |
| BODY | | 12 | 12 | 21 | 23 | 23 | 25 | 25 | 43 | 43 | 43 | 49 |

JANUS CYLINDERS DOUBLE AND SINGLE ACTING

Assembly Ordering Codes:



| BORE (mm) | | MEDIUM | | ACTION | | ROD (mm) | | ROD END | | BODY MOUNTING | | STROKE (mm) | |
|-----------|------|--------|-------------|--------|---------------|----------|---------------|---------|-------------------|---------------|-------------------|-------------|------|
| * | | * | | * | | * | | * | | * | | * | |
| 032 | Ø32 | W | Tap Water | S | Single Acting | 16 | Ø16 | M | Male Thread | B | Rear Flange | 50 Min. | 050 |
| 040 | Ø40 | S | Salt Water | | | F | Female Thread | F | Front Flange | | | | |
| 050 | Ø50 | T | Tech. Water | D | Double Acting | 25 | Ø25 | U | Plain Bearing | U | Plain Bearing | 1500 Max. | 1500 |
| 064 | Ø64 | O | Other | | | 30 | Ø30 | R | Spherical Bearing | R | Spherical Bearing | | |
| 080 | Ø80 | | | | | 40 | Ø40 | | | | | | |
| 100 | Ø100 | | | | | 50 | Ø50 | | | | | | |
| 125 | Ø125 | | | | | 60 | Ø60 | | | | | | |
| | | | | | | 80 | Ø80 | | | | | | |



Example

Ø50 bore, Ø25 rod, 300 stroke, double acting, male threaded rod end & front flange mounted, to be used with tap water.

Ordering Code : **050 W D 25 M F 300**



Specials

- Extended sizes from table shown
- Double end
- Proximity sensors
- Linear transducers for positional feedback
- Special mounting for design integration

The Water Hydraulics Co. Ltd.

Alexandra House, English Street, Hull, East Yorkshire, HU3 2DJ, United Kingdom.

Tel: +44 (0)1482 595000, E-Mail: sales@waterhydraulics.co.uk.

England Website: www.waterhydraulics.co.uk

Whilst every endeavour has been made to ensure accuracy, this publication cannot be considered to represent